



Proudly Distributed By

TRIDENT AUSTRALIA
FLUID SYSTEMS & COMPONENTS

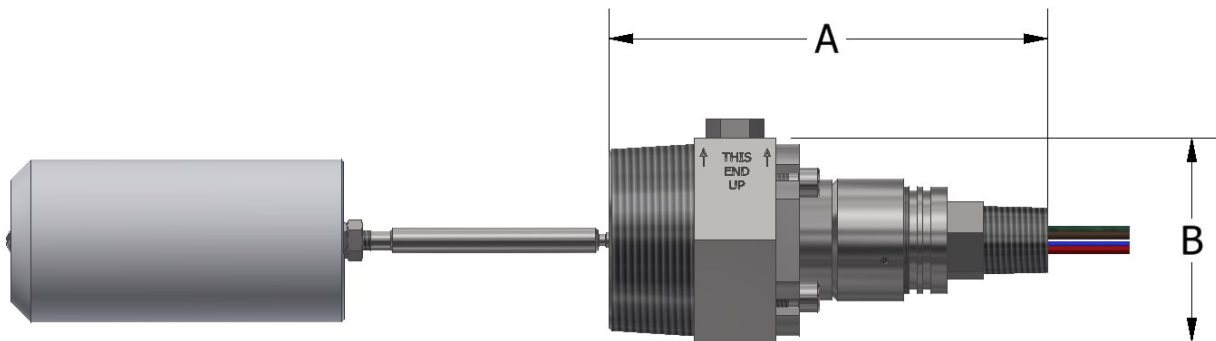
OPERATION

The Ruelco Model 38C2 is a liquid level switch designed to meet the growing industry demand for durable, easy to maintain and accurate, electrical discreet point liquid level indication. Its non-externally adjustable set point makes it ideal for safety level switches and redundant back-up switches. It can provide control for simple local systems up to the most sophisticated process control systems. The direct action of the flex level design ensures trouble free operation in the process fluids with specific gravities as low as 0.6 without any fine tuning or other adjustments.

FEATURES

- 316 stainless steel construction (models to N.A.C.E. MR0175 available)
- Design has no deep cavities or recesses exposed to the process fluids for debris accumulation and is excellent for dirty fluid applications
- Uses a patented pivot seal mechanism to transmit liquid buoyancy to the valve operation mechanism with the pivot completely isolated from the process fluid
- Uses hermetically sealed, snap acting dry contact, explosion proof switch U.L. rated
- Level adjustments cannot be easily tampered with after installation, making this switch well suited for critical applications

ELECTRIC 2" NPT LEVEL SWITCH



DIMENSIONS

| | |
|-----------------------|---------------------|
| A | 5.44" (138.2 mm) |
| B | 2.50" HEX (63.5 mm) |
| ELECTRICAL CONNECTION | 1/2" MNPT |
| ELECTRICAL LEADS | 18" (457.2 mm) |
| WEIGHT | 3.8 LBS (1.7 kg) |

SPECIFICATIONS

| | |
|---------------------------|-------------------------------|
| MAXIMUM WORKING PRESSURE | 2,160 PSI (149 BAR) |
| AMBIENT TEMPERATURE RANGE | -20 TO 158° F -29 TO 70° C |
| MINIMUM SPECIFIC GRAVITY | 0.6 |

PHONE: 504-340-0055
FAX: 504-340-0056
EMAIL: SALES@RUELCO.COM

1209 DISTRIBUTORS ROW
NEW ORLEANS, LA 70123



Proudly Distributed By

TRIDENT AUSTRALIA
FLUID SYSTEMS & COMPONENTS

ELECTRICAL OPERATION

| LEAD | COLOR | RISING LEVEL | FALLING LEVEL |
|----------|----------------|--------------|---------------|
| NO / NO2 | BLUE / PURPLE | CLOSES | OPENS |
| NC / NC2 | RED / BLACK | OPENS | CLOSES |
| C / C2 | BROWN / YELLOW | COMMON LEADS | |
| GND | GREEN | GROUND | |

ELECTRICAL SPECIFICATIONS

| | |
|---|-------------------|
| SPDT & DPDT SWITCH MAXIMUM VOLTAGE | 250 VAC 28 VDC |
| SPDT & DPDT SWITCH AMPS @ MAXIMUM VOLTAGE | 5 AMPS |
| AMBIENT TEMPERATURE RANGE | -20 TO 158° F |

ELECTRICAL CERTIFICATIONS

| | |
|---------------------------|-------------------------|
| UNDERWRITERS LABORATORIES | CLASS I, GROUPS A,B,C,D |
| UNDERWRITERS LABORATORIES | CLASS II, GROUPS E,F,G |
| ATEX | Ex d IIC |

ELECTRIC 2" NPT LEVEL SWITCH

PHONE: 504-340-0055
FAX: 504-340-0056
EMAIL: SALES@RUELCO.COM

1209 DISTRIBUTORS ROW
NEW ORLEANS, LA 70123



Proudly Distributed By

TRIDENT AUSTRALIA
FLUID SYSTEMS & COMPONENTS

PARTS LIST

| ITEM | QUANTITY | DESCRIPTION | MATERIAL |
|------|----------|-----------------------|-------------------------------|
| 1 | 1 | DISPLACER ASSEMBLY | POLYPROPYLENE OR 316 ST. STL. |
| 2 | 1 | FLOAT ROD | 316 ST. STL. |
| 3 | 1 | BODY SEAL RETAINER | 316 ST. STL. |
| 4* | 1 | BODY SEAL | FLUOROCARBON |
| 5 | 1 | BODY | 316 ST. STL. |
| 6 | 1 | SPRING CAP | 316 ST. STL. |
| 7 | 1 | SPRING | INCONEL |
| 8 | 1 | SPRING GUIDE | 316 ST. STL. |
| 9 | 4 | SOCKET HEAD CAP SCREW | 316 ST. STL. |
| 10 | 1 | ELECTRIC VALVE BODY | CF-8M |
| 11* | 2 | WEAR BANDS | DELRIN |
| 12 | 1 | ELECTRIC POPPET | 316 ST. STL. |
| 13* | 1 | REMOVABLE PIVOT | 17-4 PH ST. STL. |
| 14 | 1 | CONE | 17-4 PH ST. STL. |
| 15 | 1 | FLOAT ROD NUT | 316 ST. STL. |
| 16 | 1 | PUSH ROD ASSEMBLY | 316 ST. STL. |
| 17A | 1 | SPDT SWITCH | 316 ST. STL. |
| 17B | - | DPDT SWITCH | 316 ST. STL. |

* INDICATES ITEMS IN THE REPAIR KIT

REPAIR KIT

- 38-016-000

OTHER TEMPERATURE RANGES AND SEAL
COMPOUNDS AVAILABLE UPON REQUEST

ORDERING CODE

BODY CODE: 38C2

PHONE: 504-340-0055
FAX: 504-340-0056
EMAIL: SALES@RUELCO.COM

1209 DISTRIBUTORS ROW
NEW ORLEANS, LA 70123

ELECTRIC 2" NPT LEVEL SWITCH



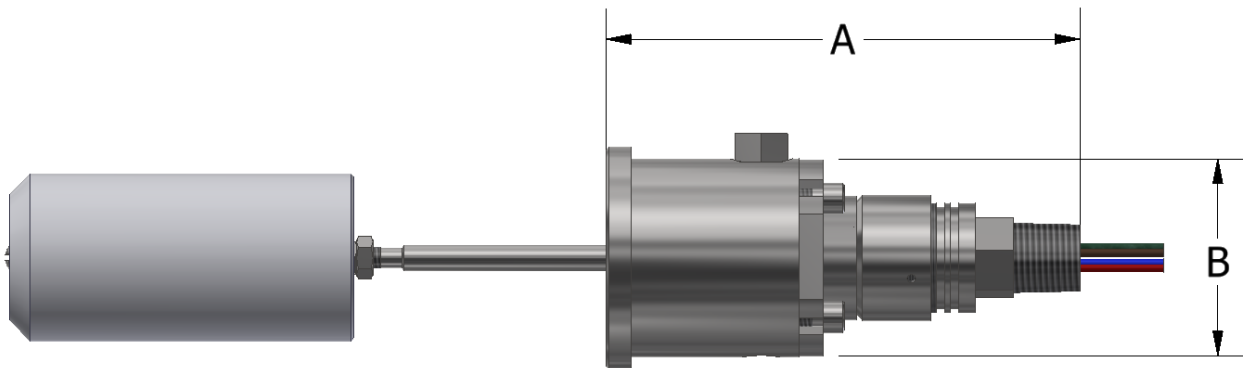
OPERATION

The Ruelco Model 39C2 is a liquid level switch designed to meet the growing industry demand for durable, easy to maintain and accurate, electrical discreet point liquid level indication. Its non-externally adjustable set point makes it ideal for safety level switches and redundant back-up switches. It can provide control for simple local systems up to the most sophisticated process control systems. The direct action of the flex level design ensures trouble free operation in the process fluids with specific gravities as low as 0.6 without any fine tuning or other adjustments.

FEATURES

- 316 stainless steel construction (models to N.A.C.E. MR0175 available)
- Design has no deep cavities or recesses exposed to the process fluids for debris accumulation and is excellent for dirty fluid applications
- Uses a patented pivot seal mechanism to transmit liquid buoyancy to the valve operation mechanism with the pivot completely isolated from the process fluid
- Uses hermetically sealed, snap acting dry contact, explosion proof switch U.L. rated
- Level adjustments cannot be easily tampered with after installation, making this switch well suited for critical applications

ELECTRIC FLANGE LEVEL SWITCH



DIMENSIONS

| | |
|-----------------------|------------------|
| A | 5.72" (145.3 mm) |
| B | 2.37" (60.2 mm) |
| ELECTRICAL CONNECTION | 1/2" MNPT |
| ELECTRICAL LEADS | 18" (457.2 mm) |
| WEIGHT | 3.8 LBS (1.7 kg) |

SPECIFICATIONS

| | |
|---------------------------|-------------------------------|
| MAXIMUM WORKING PRESSURE | 2,160 PSI (149 BAR) |
| AMBIENT TEMPERATURE RANGE | -20 TO 158° F -29 TO 70° C |
| MINIMUM SPECIFIC GRAVITY | 0.6 |

PHONE: 504-340-0055
FAX: 504-340-0056
EMAIL: SALES@RUELCO.COM

1209 DISTRIBUTORS ROW
NEW ORLEANS, LA 70123



Proudly Distributed By

TRIDENT AUSTRALIA
FLUID SYSTEMS & COMPONENTS

ELECTRICAL OPERATION

| LEAD | COLOR | RISING LEVEL | FALLING LEVEL |
|----------|----------------|--------------|---------------|
| NO / NO2 | BLUE / PURPLE | CLOSES | OPENS |
| NC / NC2 | RED / BLACK | OPENS | CLOSES |
| C / C2 | BROWN / YELLOW | COMMON LEADS | |
| GND | GREEN | GROUND | |

ELECTRICAL SPECIFICATIONS

| | |
|---|-------------------|
| SPDT & DPDT SWITCH MAXIMUM VOLTAGE | 250 VAC 28 VDC |
| SPDT & DPDT SWITCH AMPS @ MAXIMUM VOLTAGE | 5 AMPS |
| AMBIENT TEMPERATURE RANGE | -20 TO 158° F |

ELECTRICAL CERTIFICATIONS

| | |
|---------------------------|-------------------------|
| UNDERWRITERS LABORATORIES | CLASS I, GROUPS A,B,C,D |
| UNDERWRITERS LABORATORIES | CLASS II, GROUPS E,F,G |
| ATEX | Ex d IIC |

ELECTRIC FLANGE LEVEL SWITCH

PHONE: 504-340-0055
FAX: 504-340-0056
EMAIL: SALES@RUELCO.COM

1209 DISTRIBUTORS ROW
NEW ORLEANS, LA 70123

PARTS LIST

| ITEM | QUANTITY | DESCRIPTION | MATERIAL |
|------|----------|-----------------------|-------------------------------|
| 1 | 1 | DISPLACER ASSEMBLY | POLYPROPYLENE OR 316 ST. STL. |
| 2 | 1 | FLOAT ROD | 316 ST. STL. |
| 3 | 1 | BODY SEAL RETAINER | 316 ST. STL. |
| 4* | 1 | BODY SEAL | FLUOROCARBON |
| 5 | 1 | FLANGE BODY | 316 ST. STL. |
| 6 | 1 | SPRING CAP | 316 ST. STL. |
| 7 | 1 | SPRING | INCONEL |
| 8 | 1 | SPRING GUIDE | 316 ST. STL. |
| 9 | 4 | SOCKET HEAD CAP SCREW | 316 ST. STL. |
| 10 | 1 | ELECTRIC VALVE BODY | CF-8M |
| 11* | 2 | WEAR BANDS | DELRIN |
| 12 | 1 | ELECTRIC POPPET | 316 ST. STL. |
| 13* | 1 | REMOVABLE PIVOT | 17-4 PH ST. STL. |
| 14 | 1 | CONE | 17-4 PH ST. STL. |
| 15 | 1 | FLOAT ROD NUT | 316 ST. STL. |
| 16 | 1 | PUSH ROD ASSEMBLY | 316 ST. STL. |
| 17A | 1 | SPDT SWITCH | 316 ST. STL. |
| 17B | - | DPDT SWITCH | 316 ST. STL. |

* INDICATES ITEMS IN THE REPAIR KIT

REPAIR KIT

- 38-016-000

OTHER TEMPERATURE RANGES AND SEAL
COMPOUNDS AVAILABLE UPON REQUEST

ORDERING CODE

BODY CODE: 39C2

PHONE: 504-340-0055
FAX: 504-340-0056
EMAIL: SALES@RUELCO.COM

1209 DISTRIBUTORS ROW
NEW ORLEANS, LA 70123

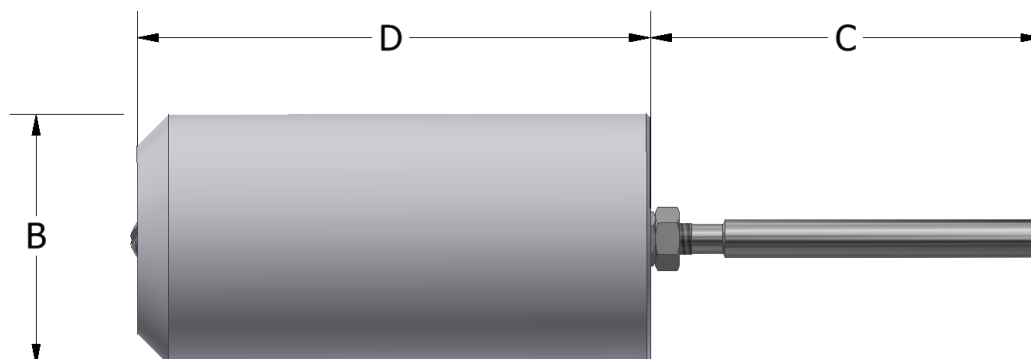
ELECTRIC FLANGE LEVEL SWITCH



Proudly Distributed By

TRIDENT AUSTRALIA
FLUID SYSTEMS & COMPONENTS

POLYPROPYLENE 3" ROD



DIMENSIONS

| | |
|---|-------------------|
| B | 2.00" (50.8 mm) |
| C | 3.25" (82.6 mm) |
| D | 4.10" (104.14 mm) |

SPECIFICATIONS

| | |
|-----------------------------|--------------------------------|
| MAXIMUM WORKING PRESSURE | 2,160 PSI (149 BAR) |
| AMBIENT TEMPERATURE RANGE | -20 TO 250° F -29 TO 122° C |
| MAXIMUM PROCESS TEMPERATURE | 200°F (93°C) |

DISPLACERS

ORDERING CODE

(BODY CODE) X P X E 30

Standard Corrosive Service -- (-)

N.A.C.E. option ---N

SPDT Electric Switch -- S

DPDT Electric Switch -- D

PHONE: 504-340-0055
FAX: 504-340-0056
EMAIL: SALES@RUELCO.COM

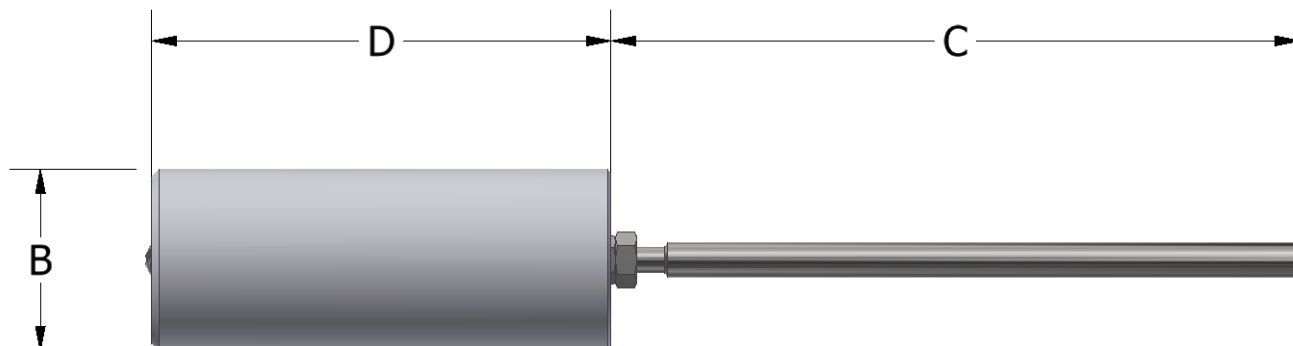
1209 DISTRIBUTORS ROW
NEW ORLEANS, LA 70123



Proudly Distributed By

TRIDENT AUSTRALIA
FLUID SYSTEMS & COMPONENTS

POLYPROPYLENE 6" ROD



DIMENSIONS

| | |
|---|-------------------|
| B | 1.62" (41.3 mm) |
| C | 6.50" (165.1 mm) |
| D | 4.10" (104.14 mm) |

SPECIFICATIONS

| | |
|-----------------------------|--------------------------------|
| MAXIMUM WORKING PRESSURE | 2,160 PSI (149 BAR) |
| AMBIENT TEMPERATURE RANGE | -20 TO 250° F -29 TO 122° C |
| MAXIMUM PROCESS TEMPERATURE | 200°F (93°C) |

DISPLACERS

ORDERING CODE

(BODY CODE) X P X E 60

Standard Corrosive Service -- (-)

N.A.C.E. option ---N

SPDT Electric Switch -- S

DPDT Electric Switch -- D

PHONE: 504-340-0055
FAX: 504-340-0056
EMAIL: SALES@RUELCO.COM

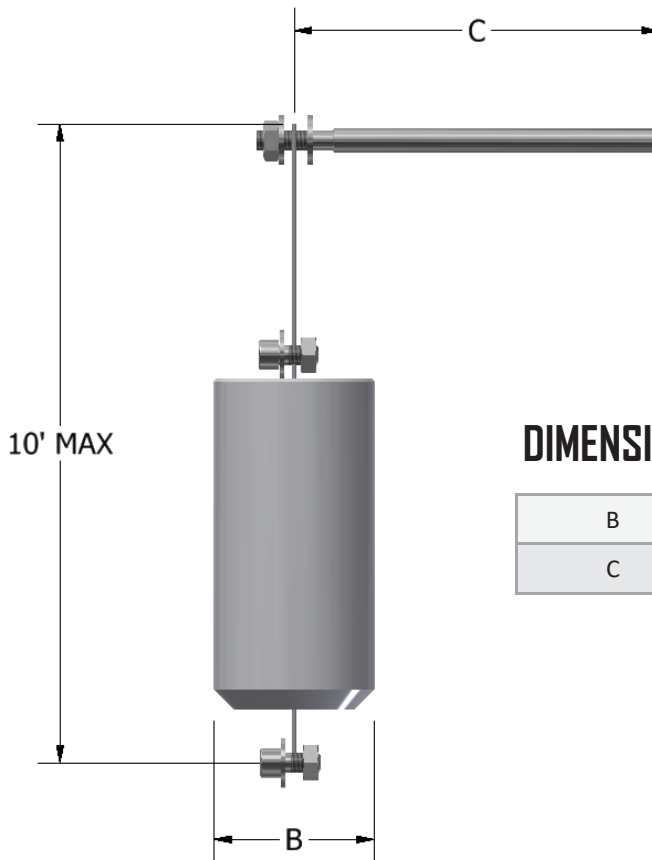
1209 DISTRIBUTORS ROW
NEW ORLEANS, LA 70123



Proudly Distributed By

TRIDENT AUSTRALIA
FLUID SYSTEMS & COMPONENTS

POLYPROPYLENE 10' HANGDOWN



DIMENSIONS

| | |
|---|------------------|
| B | 2.00" (50.8 mm) |
| C | 4.50" (114.3 mm) |

SPECIFICATIONS

| | |
|-----------------------------|--------------------------------|
| MAXIMUM WORKING PRESSURE | 2,160 PSI (149 BAR) |
| AMBIENT TEMPERATURE RANGE | -20 TO 250° F -29 TO 122° C |
| MAXIMUM PROCESS TEMPERATURE | 200° F (93°C) |

DISPLACERS

ORDERING CODE

(BODY CODE) X P X E 33

Standard Corrosive Service -- (-)

N.A.C.E. option ---N

SPDT Electric Switch -- S

DPDT Electric Switch -- D

PHONE: 504-340-0055
FAX: 504-340-0056
EMAIL: SALES@RUELCO.COM

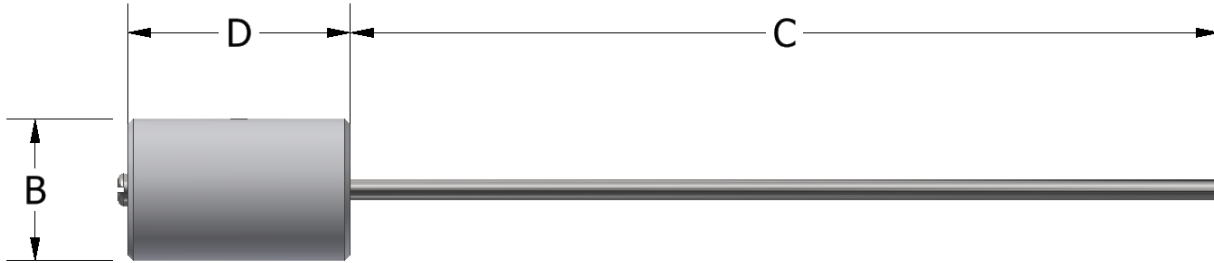
1209 DISTRIBUTORS
ROW
NEW ORLEANS, LA 70123



Proudly Distributed By

TRIDENT AUSTRALIA
FLUID SYSTEMS & COMPONENTS

POLYPROPYLENE EXTENDED ROD



DIMENSIONS

| | 8" ROD | 10" ROD | 12" ROD | 14" ROD |
|---|------------------|------------------|-------------------|-------------------|
| B | 1.62" (41.3 mm) | 1.62" (41.3 mm) | 1.62" (41.3 mm) | 1.50" (38.1 mm) |
| C | 6.72" (170.7 mm) | 9.95" (252.7 mm) | 12.19" (309.6 mm) | 13.75" (349.3 mm) |
| D | 3.00" (76.2 mm) | 2.55" (64.8 mm) | 2.12" (53.8 mm) | 2.30" (58.4 mm) |

SPECIFICATIONS

| | |
|-----------------------------|--------------------------------|
| MAXIMUM WORKING PRESSURE | 2,160 PSI (149 BAR) |
| AMBIENT TEMPERATURE RANGE | -20 TO 250° F -29 TO 122° C |
| MAXIMUM PROCESS TEMPERATURE | 200°F (93°C) |

ORDERING CODE

(BODY CODE) X P X E X O

Standard Corrosive Service -- (-)

N.A.C.E. option ---N

SPDT Electric Switch -- S

DPDT Electric Switch -- D

8 – 8" ROD
 A – 10" ROD
 C – 12" ROD
 E – 14" ROD

DISPLACERS

PHONE: 504-340-0055
FAX: 504-340-0056
EMAIL: SALES@RUELCO.COM

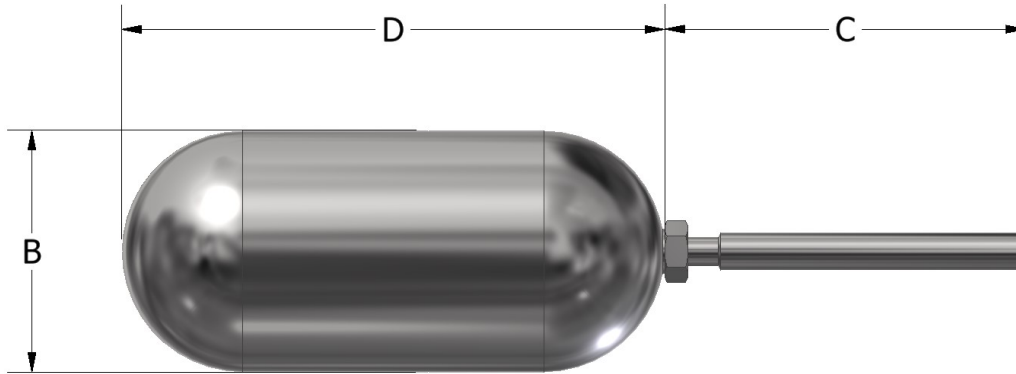
1209 DISTRIBUTORS ROW
NEW ORLEANS, LA 70123



Proudly Distributed By

TRIDENT AUSTRALIA
FLUID SYSTEMS & COMPONENTS

316 ST. STL. 3" ROD



DIMENSIONS

| | |
|---|------------------|
| B | 2.00" (50.8 mm) |
| C | 3.25" (82.6 mm) |
| D | 4.50" (114.3 mm) |

SPECIFICATIONS

| | |
|-----------------------------|--------------------------------|
| MAXIMUM WORKING PRESSURE | 2,160 PSI (149 BAR) |
| AMBIENT TEMPERATURE RANGE | -20 TO 300° F -29 TO 148° C |
| MAXIMUM PROCESS TEMPERATURE | 300°F (148°C) |

DISPLACERS

ORDERING CODE

(BODY CODE) X 6 X E 30

- Standard Corrosive Service -- (-)
- N.A.C.E. option ---N
- SPDT Electric Switch -- S
- DPDT Electric Switch -- D

PHONE: 504-340-0055
FAX: 504-340-0056
EMAIL: SALES@RUELCO.COM

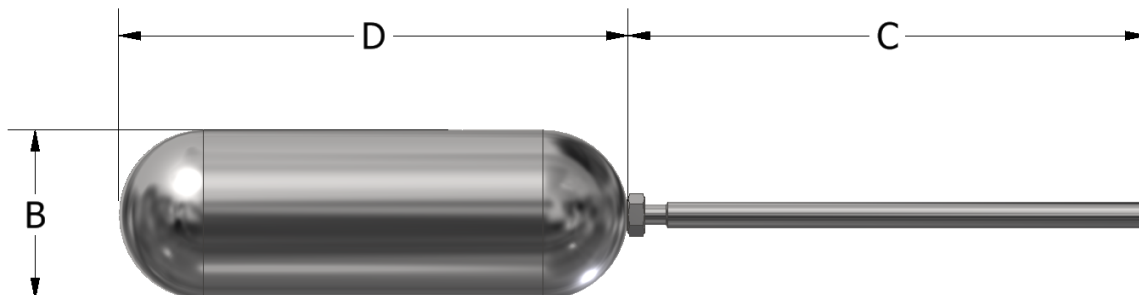
1209 DISTRIBUTORS ROW
NEW ORLEANS, LA 70123



Proudly Distributed By

TRIDENT AUSTRALIA
FLUID SYSTEMS & COMPONENTS

316 ST. STL. 6" ROD



DIMENSIONS

| | |
|---|------------------|
| B | 2.00" (50.8 mm) |
| C | 6.50" (165.1 mm) |
| D | 6.00" (152.4 mm) |

SPECIFICATIONS

| | |
|-----------------------------|--------------------------------|
| MAXIMUM WORKING PRESSURE | 300 PSI (20.68 BAR) |
| AMBIENT TEMPERATURE RANGE | -20 TO 300° F -29 TO 148° C |
| MAXIMUM PROCESS TEMPERATURE | 300°F (148°C) |

ORDERING CODE

(BODY CODE) SA0002 X X E60

Standard Corrosive Service -- (-)

N.A.C.E. option ---N

SPDT Electric Switch -- S

DPDT Electric Switch -- D

PHONE: 504-340-0055
FAX: 504-340-0056
EMAIL: SALES@RUELCO.COM

1209 DISTRIBUTORS ROW
NEW ORLEANS, LA 70123

DISPLACERS